

FITTINGS

KLIMAPRESS

KLIMAPRESS is a range of press fittings made of brass – CW617N, a special brass that ensures greater resistance to corrosion and oxidation. CW617N brass is approved by 4MS.

The fittings are manufactured with optimized elements. After pressing, the connection is durable and highly strength resistant: stainless steel press sleeve geometry, stop ring made of polypropylene and press jaw guide ensure simple free pressing, EPDM O-rings ensure an absolute watertight connection between the support sleeve and inner pipe wall.

The pressing sleeves, made of stainless steel, have an inspection window to check the penetration depth of the pipe before pressing. Each sleeve has the indication of the diameter and the production order engraved, thus assuring product traceability.

HELIROMA KLIMAPRESS fittings have been designed to be used with HELIKLIMA multilayer pipe and KLIMAPRESS PPSU fittings.

KLIMAPRESS fittings are supplied in gold colour and the pressing sleeves are silver colour.



Fittings certification.

ADVANTAGES AND KEY FEATURES

- 100% compatible with existing HELIROMA components and tools;
- Dimensional range Ø 16-75 mm;
- Fittings without nickel plating, avoiding galvanic treatment;
- Fitting body made of brass 4MS approved;
- Highly resistant to corrosion and oxidation;
- Flow-efficient design;
- Visual assurance of pipe position;
- Quick Installation;
- Certification.

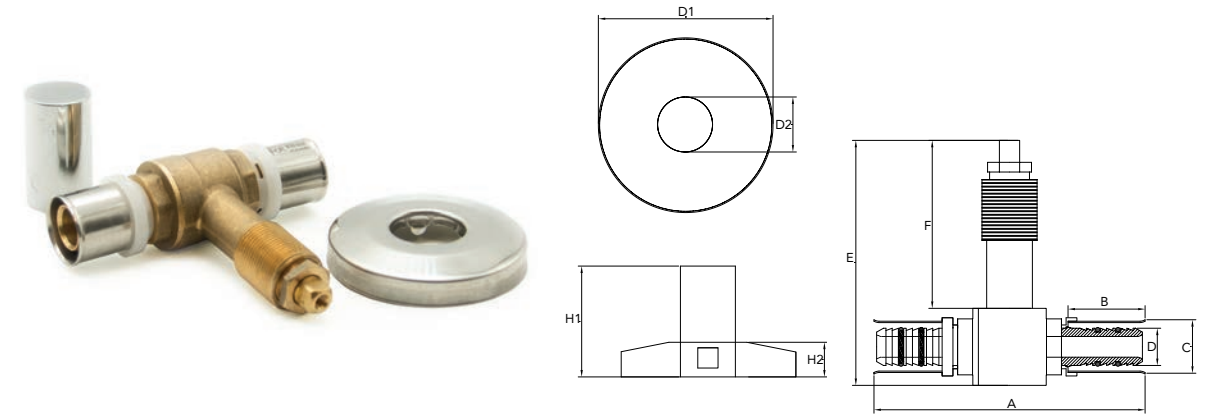


STOP VALVE

Stop valve is a press fitting made of brass – CW617N.

A fitting suitable for both risers and distribution system as well as for reticulation, under the condition, mentioned on table APPLICATIONS.

The range of KLIMAPRESS stop valves is available from Ø16 mm up to 32 mm.



REFERENCE	DIAMETER	A	B	C	D	E	F	H1	H2	D1	D2
K244016	16	90	23	17,9	11,8	89	60	40	12	63,5	23
K244020	20	90	23	22	15,8	89	60	40	12	63,5	23
K244025	25	117	31,5	27	19,7	93	60	40	12	63,5	23
K244032	32	112	31,5	33,9	25,7	96	60	40	12	63,5	23

MULTILAYER PRODUCTS

MULTILAYER PRODUCTS

MULTILAYER PE-RT / AL / PE-RT PIPE - HELIKLIMA
 PE-RT / AL / PE-RT + KLIMAPRESS PPSU - HELIKLIMA PPSU
PE-RT / AL / PE-RT + KLIMAPRESS - HELIKLIMA
 PE-RT / AL / PE-RT + FLANGED FITTINGS - HELIKLIMA
 MULTILAYER PIPE PE-RT / AL / PE-RT INSULATED - HELIKLIMA INSULATED

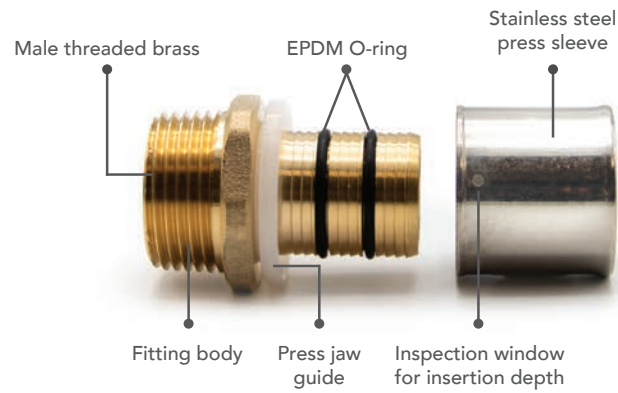
HELIROMA - Plásticos, S.A.

+ 351 234 523 373
 (chamada para a rede fixa nacional)
 comercial@heliroma.pt
 www.heliroma.pt
 Zona Industrial EN-1 / IC2 km 250,5
 3850-184 Albergaria-a-Velha, Portugal



HuliotGroup

FITTINGS KLIMAPRESS



REFERENCE	FITTINGS	DIMENSIONS (mm)	MATERIAL
K2060RD	Elbow 90°	16; 20; 25; 32; 40; 50; 63; 75	Brass CW617N
K2080RD	Female Elbow	16x1/2"; 16x3/4"; 20x1/2"; 20x3/4"; 25x1/2"; 25x3/4"; 25x1"; 32x3/4"; 32x1"; 40x1"; 40x1 1/4"; 40x1 1/2"; 50x1"; 50x1 1/2"; 63x2"; 75x2 1/2"	Brass CW617N
K2090RD	Male Elbow	16x1/2"; 20x1/2"; 25x1/2"; 25x3/4"; 32x1"	Brass CW617N
K2120RD	Wall Plate Female Elbow	16x1/2"; 20x1/2"; 25x3/4"	Brass CW617N
K2300RD	Tee	16; 20; 25; 32; 40; 50; 63; 75	Brass CW617N
K2310RD	Reduced Tee	16x20x16; 16x25x16; 20x16x16; 20x16x20; 20x20x16; 20x25x20; 25x16x16; 25x16x20; 25x16x25; 25x20x16; 25x20x20; 25x20x25; 25x25x20; 25x32x25; 32x16x32; 32x20x32; 32x25x25; 32x25x32; 40x25x40; 40x32x40; 50x32x50; 50x40x50; 63x40x63; 63x50x63; 75x63x75	Brass CW617N
K2320RD	Female Tee	16x1/2"x16; 20x1/2"x20; 25x1/2"x25; 25x3/4"x25; 32x1"x32; 40x1"x40; 40x1 1/4"x40; 50x1"x50; 50x1 1/2"x50; 63x1"x63; 63x2"x63; 63x2 1/2"x63; 75x2 1/2"x75	Brass CW617N
K2330RD	Male Tee	16x1/2"x16; 20x1/2"x20; 25x1/2"x25; 25x3/4"x25; 32x1"x32	Brass CW617N
K2000RD	Union	16; 20; 25; 32; 40; 50; 63; 75	Brass CW617N
K2380RD	Reducer Union	20x16; 25x16; 25x20; 32x20; 32x25; 40x25; 40x32; 50x25; 50x32; 50x40; 63x40; 63x50; 75x63	Brass CW617N
K2340RD	Female Union	16x1/2"; 20x1/2"; 20x3/4"; 25x1/2"; 25x3/4"; 25x1"; 32x3/4"; 32x1"; 40x1 1/4"; 50x1 1/4"; 50x1 1/2"; 63x2"; 75x2 1/2"	Brass CW617N
K3250RD	Male Union	16x1/2"; 20x1/2"; 20x3/4"; 25x1/2"; 25x3/4"; 25x1"; 32x3/4"; 32x1"; 40x1 1/4"; 50x1 1/2"; 63x2"; 75x2 1/2"	Brass CW617N
K2340RD-L	Loose Nut Union	16x1/2"; 20x1/2"; 20x3/4"; 25x3/4"; 32x1"	Brass CW617N
K2440RD-C	Stop Valve (Body)	16; 20; 25; 32	Brass CW617N
K2440RD	Stop Valve	16; 20; 25; 32	Brass CW617N
K2440RD-U	U Shape Valve	16; 20; 25	Brass CW617N
K2440RD-ES	Ball Valve	16; 20; 25; 32	Brass CW617N
K1632-CP	Handle Mechanism	16-32	Chrome-Plated Brass
K1632-25	Valve Kit Extender	16-32	Brass CW617N
K1632-ROW	White Upper Part	16-32	Chrome-Plated Brass
K1632-ROB	Black Upper Part	16-32	Chrome-Plated Brass
K1632-RO	Chromed Upper Part	16-32	Chrome-Plated Brass
K2520RD1616	Distributor	25x20x16x16x16; 25x20x20x16x16	Brass CW617N

RD: corresponds to the diameter reference;

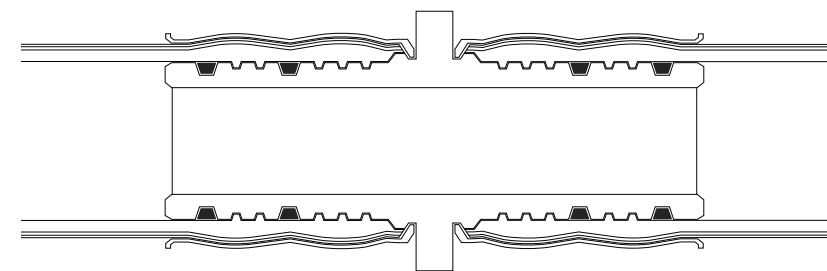
APPLICATIONS

APPLICATION	OPERATION TEMPERATURE (°C)	MAX OPERATING PRESSURE (bar)	KLIMAPRESS
Heating system – water closed circuit	0-80	10	✓
Hot and cold water	0-70	10	✓
Ultrapure water	0-40	10	
Cooling water system without antifreeze	0-70	10	✓
Cooling water system with antifreeze	-10-40	10	✓
Cold Water	0-20	10	✓
Water for industrial application	0-40	10	✓
Rainwater - pH>6	0-40	10	
Saline water	0-70	10	
Inert gases	40	10	✓

Note 1: areas of application not contained in this technical information, or water with highest requirements in terms of organic constituents, require advice from HELIROMA Technical department.

Note 2: in case of exceeding the maximum permanent operating temperatures, HELIROMA multilayer system can't be connected directly to this kind of systems. It has to be ensured that in every situation the maximum limits of use of the system are not exceeded.

PRESS PROFILE U



TOOLS



PRESS MACHINE



PRESS HEAD U



CALIBRATOR

STANDARDS

EN ISO 21003

Multilayer piping systems for hot and cold water installations inside buildings.

EN 10226-1

Pipe threads where pressure tight joints are made on the threads; Part 1: Taper external threads and parallel internal threads – Dimensions, tolerances and designation.

EN ISO 228-1

Pipe threads where pressure-tight joints are not made on the threads; Part 1: Dimensions, tolerances and designation.

DIN 30 660

Sealing materials for gas and water supply as well as water heating systems - non-hardening jointing compounds and polytetrafluoroethylene (PTFE) tapes for metallic threaded joints in domestic installations.